



Ford Ranger PX 2011 on Scout Roof Rack FITTING INSTRUCTION

IMPORTANT! – READ BEFORE INSTALLATION

- When installed in accordance with these instructions, the front protection bar does not affect the operation of the vehicles SRS airbags.
- This product must be installed exactly as per these instructions using only hardware supplied.
- Take a few moments to read instructions thoroughly before beginning work.
- In the event of damage to any bar component please contact OFFROAD ANIMAL to arrange repair/replacement of components.
- Do not use this product for any vehicle make or model other than that specified on these instructions.
- Do not remove labels from this product.
- This product and its fixings must not be modified in any way unless stated in these fitting instructions.
- The installation of this product is recommended for trained personnel.
- These instructions are correct at time of publication. OFFROAD ANIMAL cannot be held responsible for the impact of any changes subsequently made by the vehicle manufacturer. If you find something has changed please contact us to let us know!
- During installation it is the duty of the installer to check correct operation/clearances of all components.
- If Instructions are to be printed for reference in the workshop, it is recommended that they are printed in colour, for best legibility.
- **This Product requires the fitment of Rhino Rack RTS-525 roof track kit.**



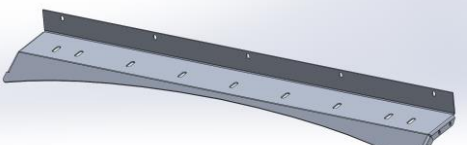
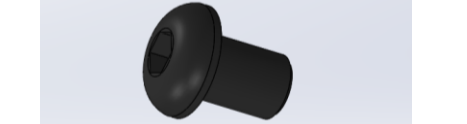
PARTS LISTING

IMPORTANT: Check all parts are present before beginning work! Contact OFFROAD ANIMAL if something is missing.

Main Parts – In the Box

Qty	Part Number	Description	Image
5	E-0005 - 1200	Scout Roof Rack – Cross Bar Extrusion 1200MM	
1	B-0342L	Roof Rack Side Rail - Ranger	
1	B-0342R	Roof Rack Side Rail - Ranger	
1	B-0344	Roof Rack No Light Wind Deflector - Ranger	
1	PW-P-14X9-1180	Pinch Weld - Plain 14X9MM, Rubber, 1180mm Length	

Optional Light Bar Kit – Purchased Separately

Qty	Part Number	Description	Image
1	B-0343	Roof Rack Light Bar Wind Deflector - Ranger	
5	M8 X 12 BHCS BZP	SCREW, BUTTON HEAD CAP, M8X12X1.25 GR12.9 BLACK ZP	



Small Parts – Contained in Small Parts Kit Bag

QTY.	PART NO.	DESCRIPTION
27	M8 X 16 BHCS BZP	SCREW, BUTTON HEAD CAP, M8X16X1.25 GR12.9 BLACK ZP
10	M8 X 12 BHCS BZP	SCREW, BUTTON HEAD CAP, M8X12X1.25 GR12.9 BLACK ZP
6	M8 X 20 BHCS BLACK ZINC	SCREW, BUTTON HEAD CAP, M8X20X1.25 BLACK ZP
6	P-0127	Roof Rack - Rhino Track Nut Plate M8
10	M6 FLANGE NUT	Flange Nut, M6x1 G8.8 ZP
8	M6 FLAT WASHER BLACK ZINC	M6 FW BLACK ZP
8	M6x20 BHCS BLACK ZINC	SCREW, BUTTON HEAD CAP, M6X20X1 GR12.9 BLACK ZP
17	M8 Nut	Hex Nut, M8x1.25 G8.8 ZP
43	M8 FLAT WASHER- BLACK ZINC	M8 FW- BLACK ZINC
6	M8 X 20 HEX	Bolt Hex, M8X20x1.25, GR8.8 ZP
2	OFA-LOGO	OFFROAD ANIMAL METAL LOGO



TOOLS REQUIRED

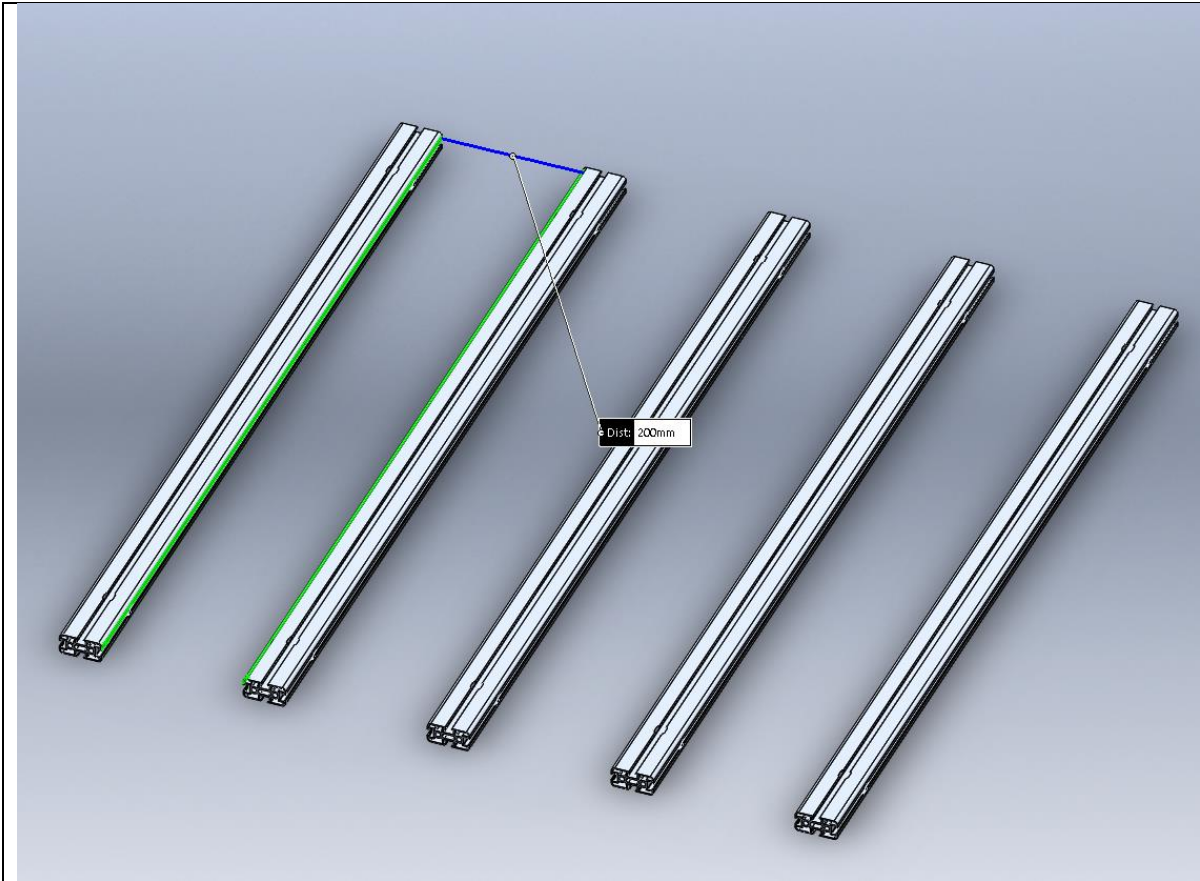
The following tools will be required to install the product. Note Extra Tools will be required for fitment of track kit. Refer to track kit

Hand Tools	Power Tools	Workshop Supplies
Metric Socket Set 8-19mm Socket Extension Bar Metric Spanner Set 10-19mm Hex (Allen) Key Set 4-6mm		Soft Blanket

WORKSHOP SAFETY

It is the responsibility of the installer to always complete works in a safe manner. Make sure the following safety equipment is available and precautions are observed whilst fitting this product.

<p>Hearing Protection</p> 	<p>Always wear ear protection when using power tools.</p>
<p>Eye Protection</p> 	<p>Ensure eye protection is always worn when cutting or drilling.</p>
<p>Manual Handling</p> 	<p>Do not attempt to lift bar assemblies or rock sliders on your own.</p> <p>Always use two people to lift or use mechanical Lifting aid such as hydraulic lifting trolley.</p>
<p>Vehicle Support</p> 	<p>Always ensure vehicle is properly supported when working on it. Do not attempt to fit products whilst suspension work is being carried out. Do not work under a vehicle supported only by a jack.</p>



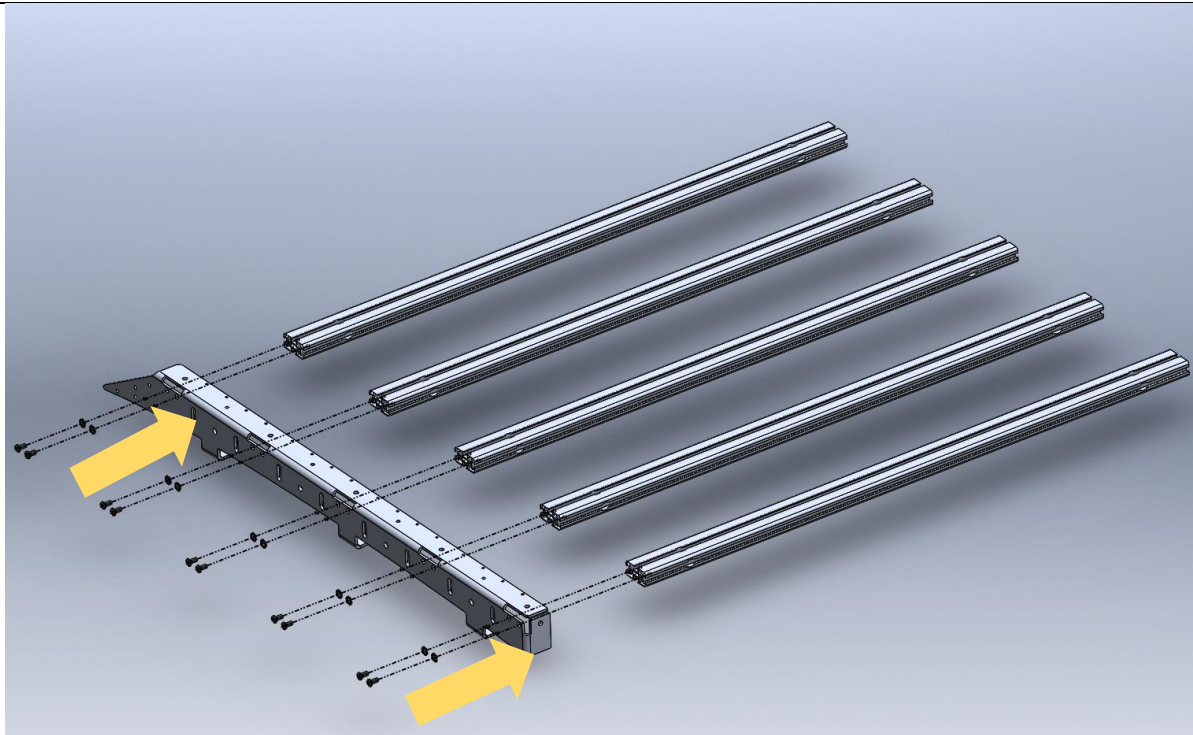
1. First, Fit the Track kit to the vehicle. Follow the instructions provided with the track kit.
2. Next Assemble the roof rack. Start by setting out the 5 extrusions on a table. Position them so they sit approximately 200mm apart.

TOOLS REQUIRED

Refer to track fitting instructions

FASTENERS

Refer to track fitting instructions



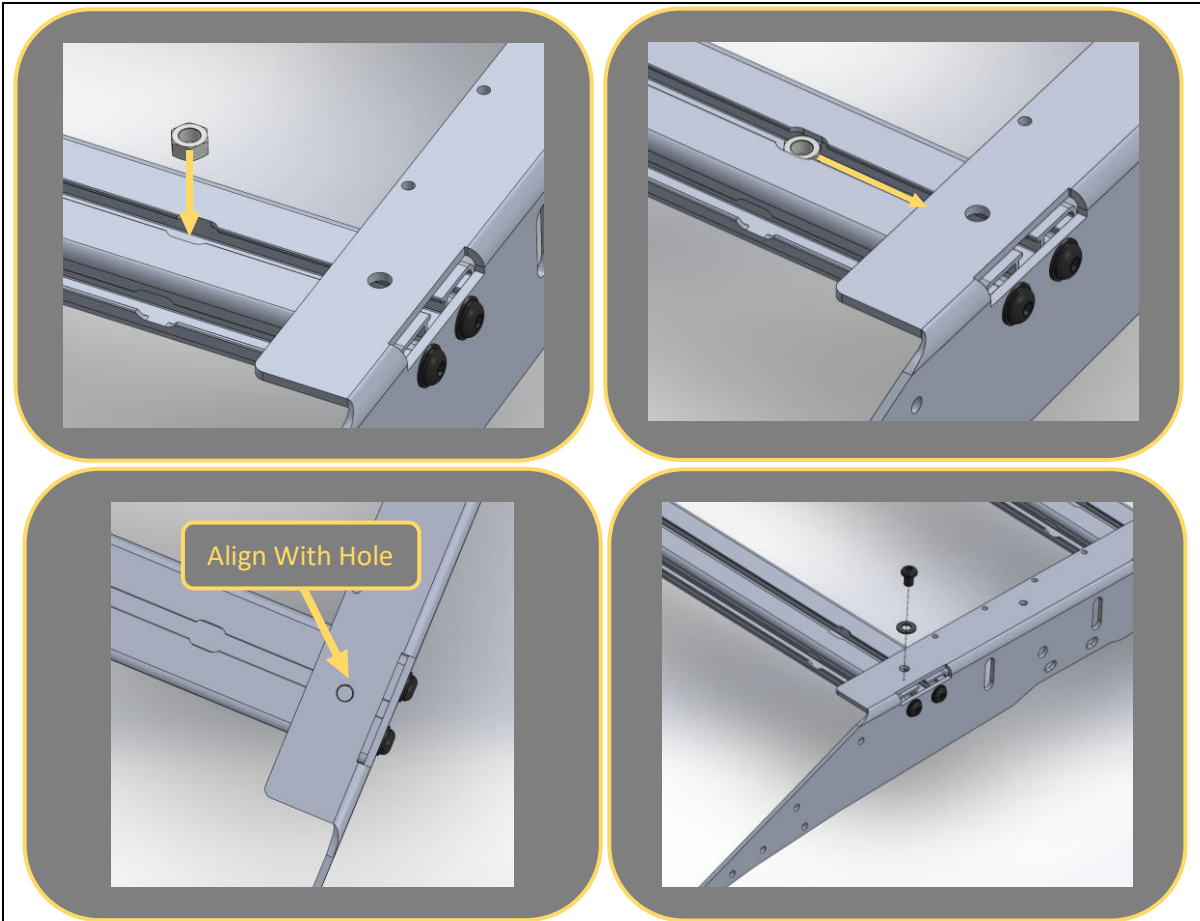
3. Fit the side rail to the extrusion,

This is easiest to do when the ends of the extrusions are hanging over the edge of a table / workbench.
4. Secure using M8x16 Button Head bolts through the side face into the Tapped holes on the side face of the extrusion.
5. Complete steps 3 through 5 for the other side of the rack assembly to fit the other side rail.

TOOLS REQUIRED
5MM Hex Key

FASTENERS

10x M8x16 Button head bolt.
10x M8 Flat Washer

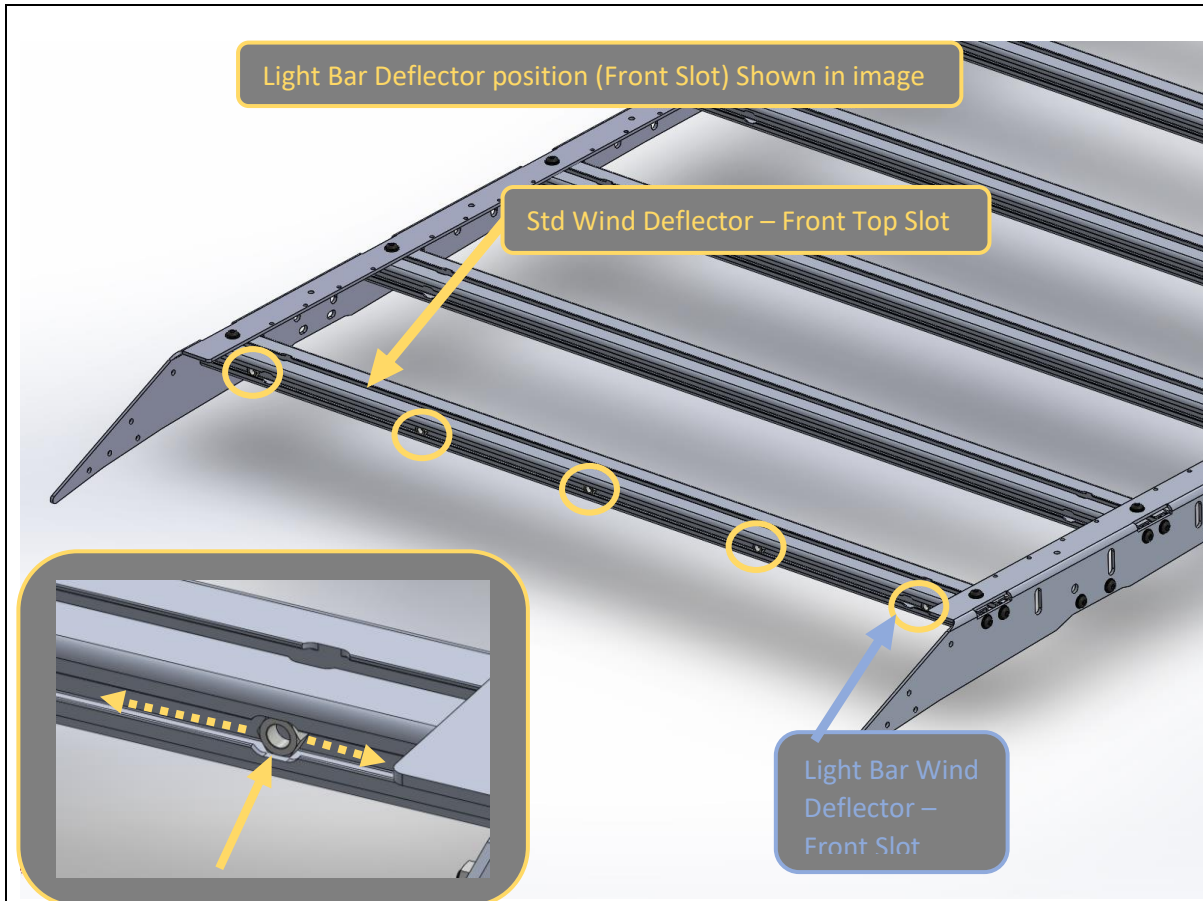


6. Insert M8 Nut into each track for securing top face of side rail.
7. Drop nut into slot in extrusion, then slide nut sideways in slot and align with hole in the side rail.
8. Secure with M8x12 Bolt + Flat Washer.
9. Complete steps 6 through 9 for the other side of the rack assembly to fit the other side rail.

TOOLS REQUIRED
5MM Allen Key

FASTENERS
5x M8 Nuts
5x M8x12 Button head bolt
5x M8 Black Washer

Per Side



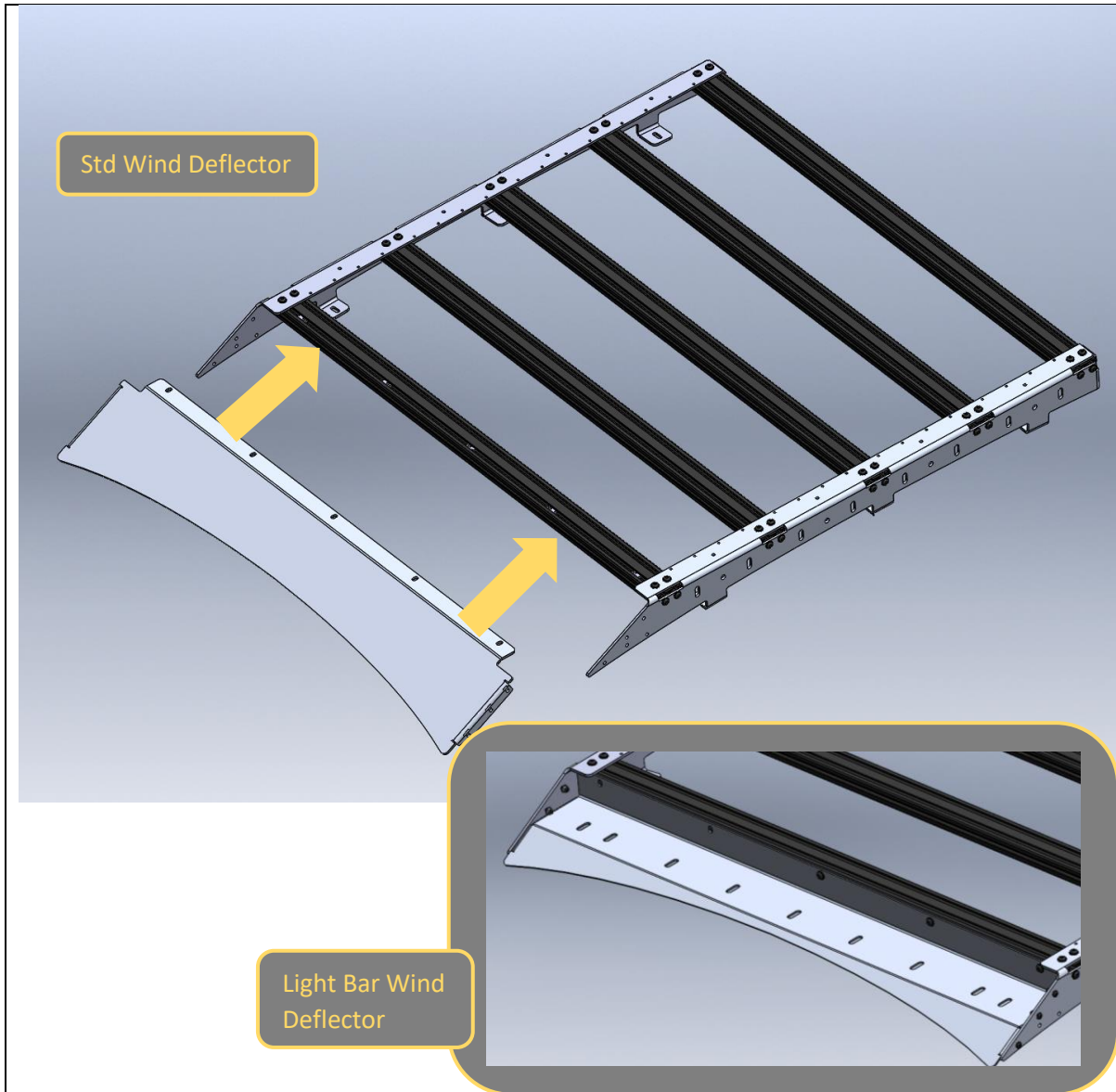
10. If fitting the standard wind deflector fit the 5x M8 in nuts to the top front slot of the front most extrusion member.

11. Move nuts side to side using screwdriver to move nuts into correct positions. The spring detent should hold the nut in position.

12. If fitting the optional light bar wind deflector, fit the drop in nuts to the front slot of the front first extrusion member.

TOOLS REQUIRED
Screwdriver

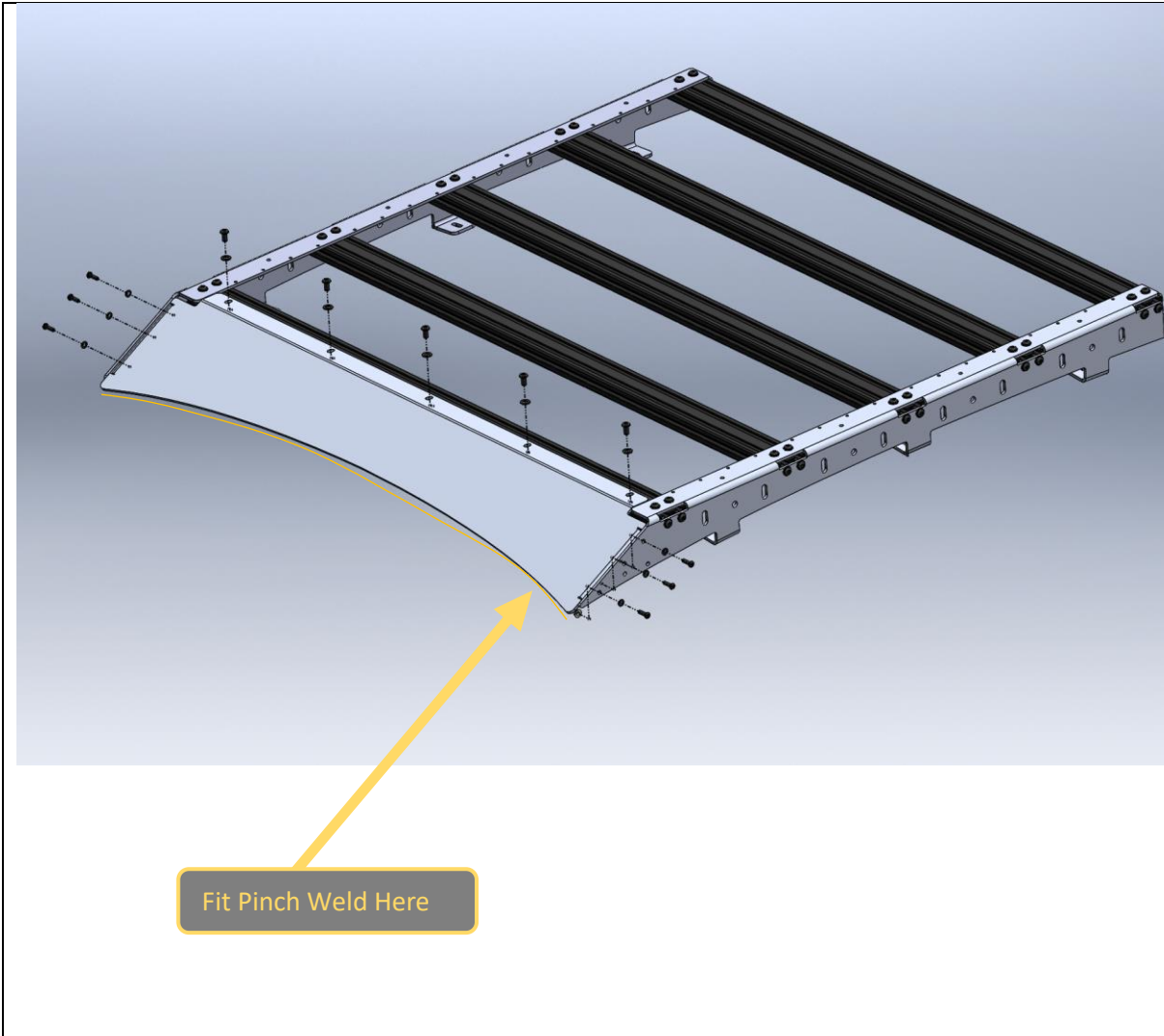
FASTENERS
5x M8 Nuts



13. Fit the wind deflector to the rack assembly. The deflector should sit inside the side rails and on top of (Standard type) or in front (Light bar type) the first extrusion member.

TOOLS REQUIRED

FASTENERS



14. Secure the wind deflector to the side rails with M6x20 button head bolts, Flat washers, and flange nuts.

15. Secure the wind deflector to the extrusion with M8x16 button head bolts and Flat washers into the nuts in the front extrusion.

NOTE: If fitting optional light bar wind deflector use the 5x M8x12 bolts supplied with the kit in lieu of M8x16 for this step.

16. Once fitted ensure all bolts are tightened.

17. Fit pinch weld strip to front edge of wind deflector.

TOOLS REQUIRED

4mm Hex Key
5mm Hex Key

FASTENERS

6x M6x20 Button head bolt.
6x M6 Flat Washer
6x M6 Flange Nut
5x M8x16 Button head bolt
5x M8 Flat Washer



18. In preparation for fitment of the roof rack, Insert the Rhino Track nuts into the track fitted on the vehicle.
19. Insert nuts through the cutouts in the track, and slide into position using screwdriver.

TOOLS REQUIRED

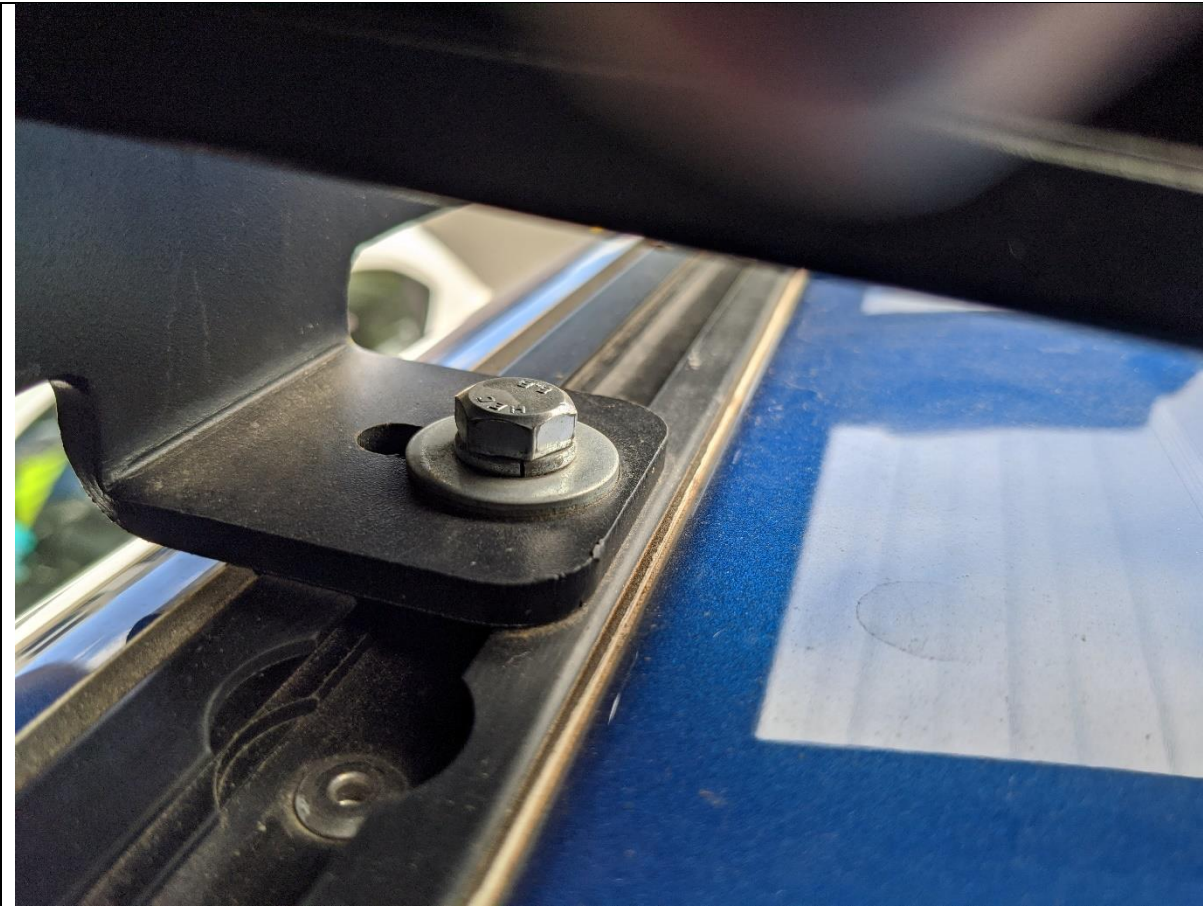
FASTENERS
6x P-0127 Track Nuts



20. With assistance from another person, lift the rack onto the vehicle.
21. Position rack such that the rearmost extrusion member sits just behind the roof mounted antenna.

TOOLS REQUIRED

FASTENERS



22. Slide nuts into position under roof rack feet using screwdriver to push along track.
23. Secure rack to track using M8x20 Hex head bolts and M8 Flat washers.
24. Fit all 6 bolts before tightening.
25. Tighten gradually, partially tightening each bolt moving around in a circular pattern until all bolts are tight.

TOOLS REQUIRED
5mm Hex Key

FASTENERS

6xM8x20 Bolt
6xM8 Flat washer



26. Double Check all Fasteners are tight.

27. With That you are done! Head Bush and Enjoy your new rack!

For contact details see www.offroadanimal.com