



Jeep Wrangler JK

MY2007-2018

Rear Bar

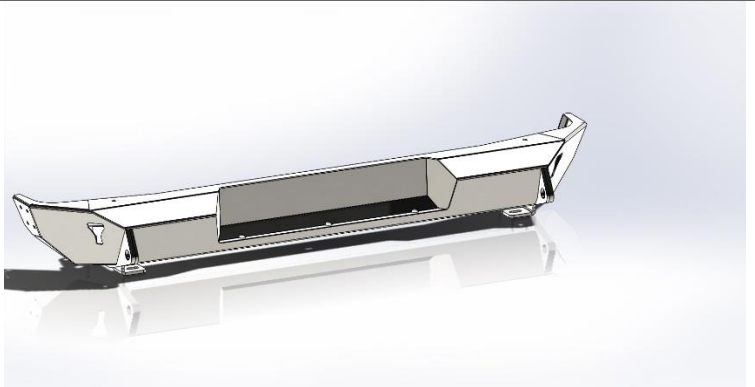
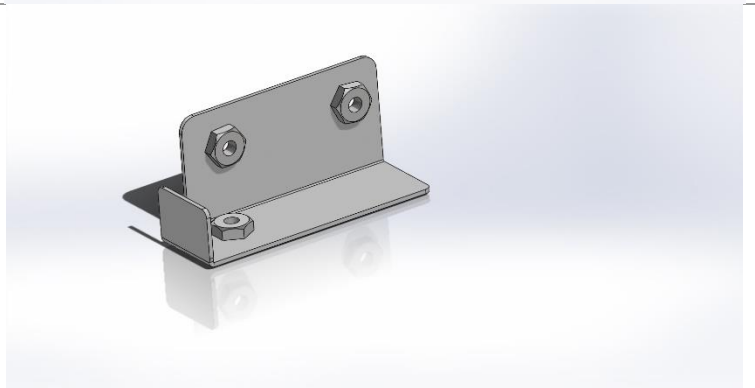
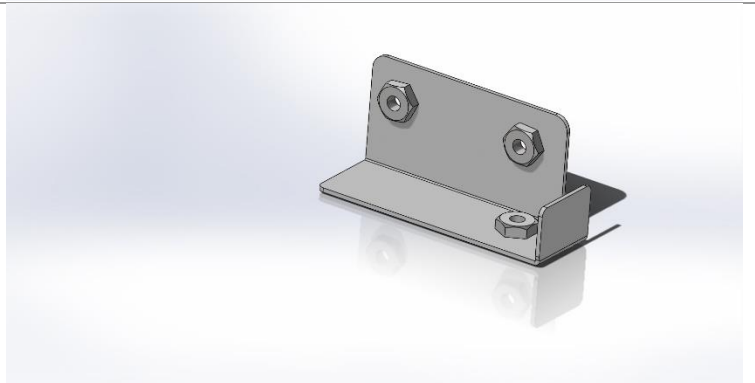
IMPORTANT! – READ BEFORE INSTALLATION

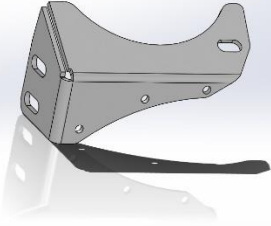
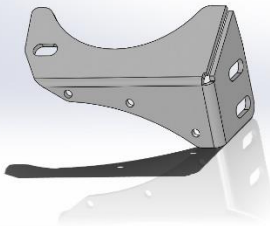
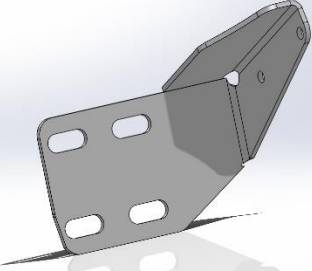
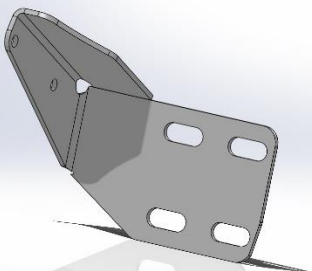
- This product must be installed exactly as per these instructions using only hardware supplied.
- Take a few moments to read instructions thoroughly before beginning work.
- In the event of damage to any component please contact OFFROAD ANIMAL to arrange repair/replacement of components.
- Do not use this product for any vehicle make or model other than that specified on these instructions.
- Do not remove labels from this product.
- This product and its fixings must not be modified in any way unless stated in these fitting instructions.
- The installation of this product is recommended for trained personnel.
- These instructions are correct at time of publication. OFFROAD ANIMAL cannot be held responsible for the impact of any changes subsequently made by the vehicle manufacturer. If you find something has changed please contact us to let us know!
- During installation it is the duty of the installer to check correct operation/clearances of all components.
- If Instructions are to be printed for reference in the workshop, it is recommended that they are printed in colour, for best legibility.
- Estimated install time: 2 hours

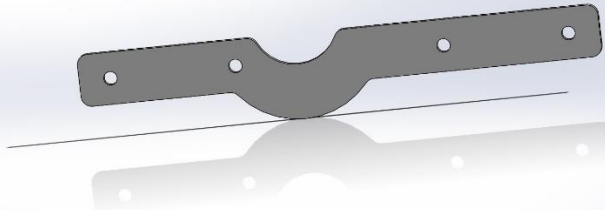
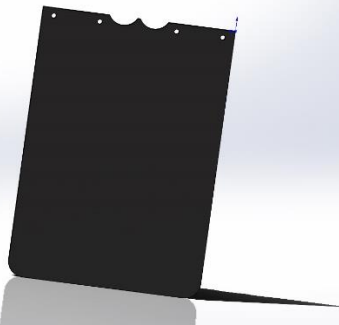
PARTS LISTING

IMPORTANT: Check all parts are present before beginning work! Contact OFFROAD ANIMAL if something is missing.

Main Parts – In the Box

Qty	Part Number	Description	Image
1	RP-JWR-JK-07-ASM1	JK Rear bar	
1	RB-JWR-JK-07-ASM2L	JK rear nut plate LH	
1	RB-JWR-JK-07-ASM2R	JK rear nut plate RH	

<p>1</p>	<p>B-0128R</p>	<p>JK rear wing support RH</p>	
<p>1</p>	<p>B-0128L</p>	<p>JK-rear wing support LH</p>	
<p>1</p>	<p>Optional part from Mud flap kit B-0205R</p>	<p>JK rear mud flap bracket RH</p>	
<p>1</p>	<p>Optional part from Mud flap kit B-0205L</p>	<p>JK rear mud flap bracket LH</p>	

2	Optional part from Mud flap kit P-0063	Mud flap flat JK	
2	Optional part from Mud flap kit MF-001	Mud flap 250W x 350L	

Small Parts – Contained in Small Parts Kit Bag

Qty	Part Number	Description
1	OFA-LOGO	Offroad Animal Logo metal
6	M12 FW LHD	M12 FW Large Heavy duty
2	M10 x 20 BHCS	M10 button head cap screw
2	M10 NY	M10 Nyloc
2	M10 FW	M10 Flat washer
6	M12 x 50	M12 x 50 Hex Bolt Zinc plate

Optional Small Parts kit for Mud flat kid

Qty	Part Number	Description
8	M6 x 20	M6 x 20 Hex bolt zinc plate
8	M6 FW	M6 Flat washer
8	M6 FN	M6 flange nut
4	M6 MGW	M6 mud guard washer
8	M8 X 20 BHCS BZ	M8 X 20 Button head caps screw black zinc
8	M8 FW BZ	M8 Flat washer black zinc
8	M8 FN	M8 flange nut

TOOLS REQUIRED

The following tools will be required to install the product.

Hand Tools	Power Tools	Workshop Equipment
16mm Socket 18mm socket 16mm spanner 18mm spanner 4mm Allen key 5mm Allen Key 6mm Allen Key	None	None

GENERAL WARNINGS

No warnings for this product



1. Start by removing 2x M10 bolts on side of chassis
2. Repeat on other side.

TOOLS REQUIRED

16mm socket or spanner

FASTENERS

Retain for later use



3. Climb underneath and disconnect loom for rear number plates

TOOLS REQUIRED

FASTENERS



4. While still underneath remove 2 x M10 bolts as shown, and loosen M10 bolts further up on same bracket

TOOLS REQUIRED

16mm socket

FASTENERS

Discard fasteners



5. Pull rear bumper away from body

TOOLS REQUIRED

FASTENERS



6. Remove Factory tow hook

TOOLS REQUIRED

18mm socket or spanner

FASTENERS

Discard factory fasteners



7. With bumper removed open rear door before putting new bar on

TOOLS REQUIRED

FASTENERS



8. Insert nut plates into chassis like shown

TOOLS REQUIRED

FASTENERS



9. Lift bar on to Jeep

TOOLS REQUIRED

FASTENERS



10. Use factory bolts up front to hold bar in place, and insert supplied M12 bolts to hold bar. Tighten all M12 bolts starting with underside ones first
11. Repeat for other side

TOOLS REQUIRED

18mm socket and spanner

FASTENERS

**M12 x 50 (6)
M12 FW (6)**



- 12. Remove factory bolts put in the last step and position wing support bracket as shown.
- 13. Insert factory M10 bolts back into side of chassis

TOOLS REQUIRED

16mm spanner

FASTENERS

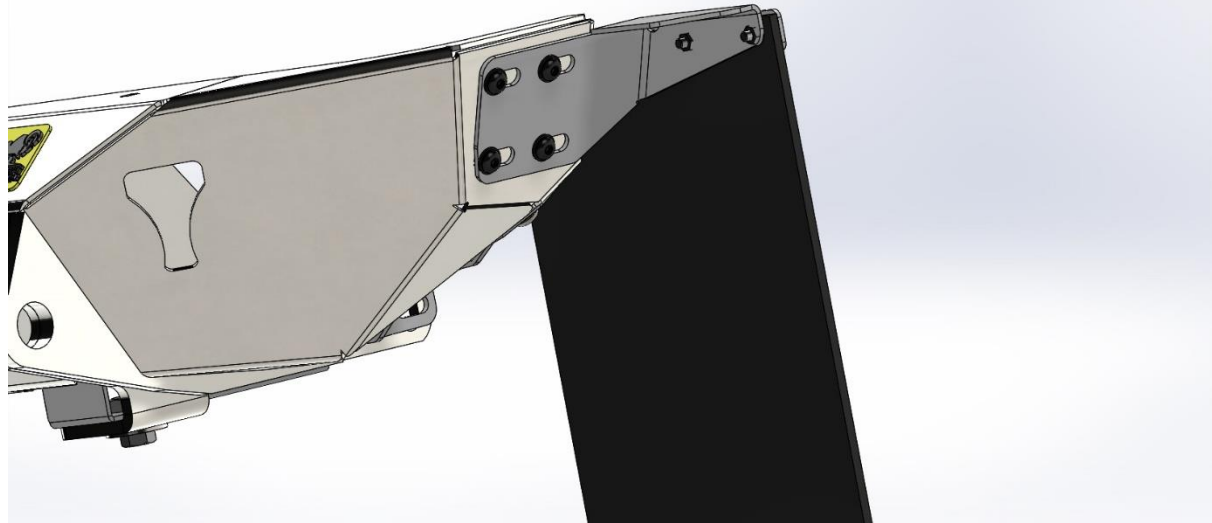
Factory M10 (4)



14. Put M10 BHCS into bracket and edge of bar as shown.
Tighten all bolts
15. Repeat for other side

TOOLS REQUIRED
6mm Allen key
16mm socket

FASTENERS
M10 x 20 BHCS (2)
M10 FW (2)
M10 NY (2)



- 16. If fitting Optional mud flap brackets, position bracket as shown with M8 BHCS and flange nuts with washers
- 17. Repeat for other side

TOOLS REQUIRED

5mm Allen key

FASTENERS

M8 x 20 BHCS BZ (8)
M8 FW BZ (8)
M8 FN (8)



- 18. To refit number plate you may require an aftermarket number plate holder off spare tyre or USA style under LH rear light
- 19. Don't forget to put logo plate on

TOOLS REQUIRED

FASTENERS